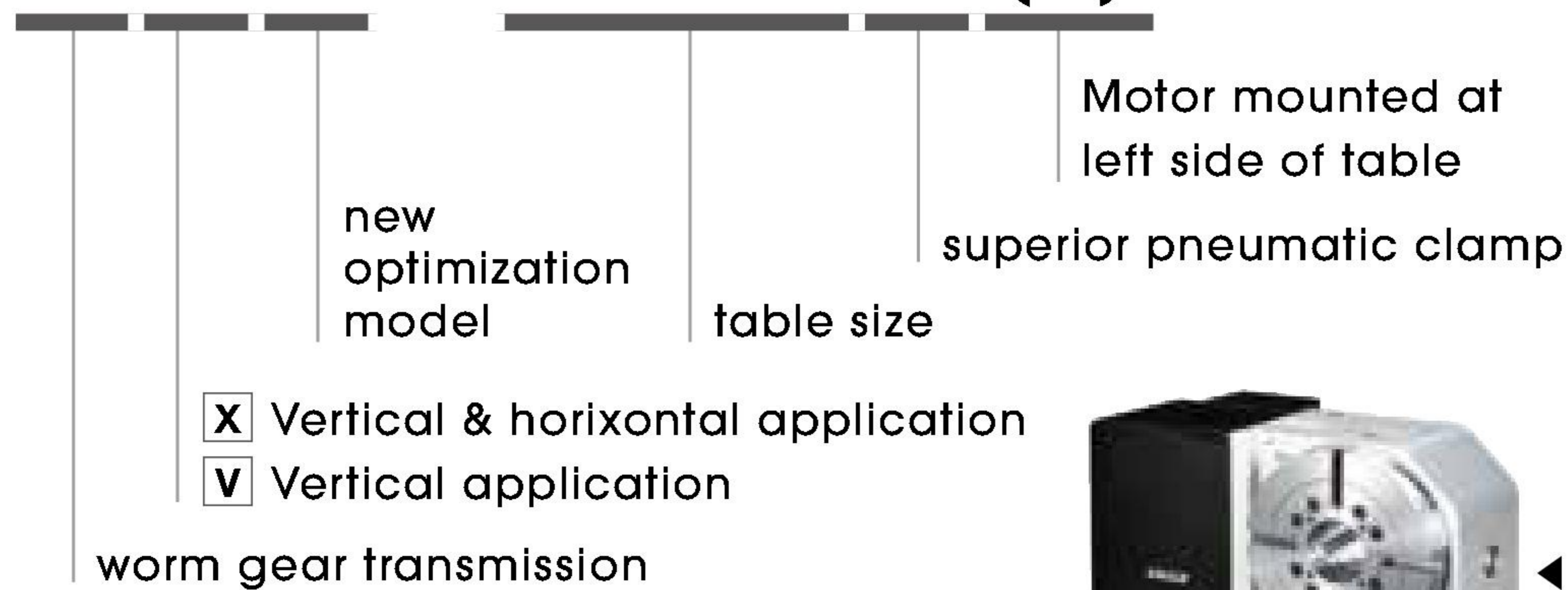


GXA-S NC Rotary Table

Multi- Power Pneumatic Clamp

GXA-125S	GXA-170S	GXA-170SL
GVA-210SL	GXA-210S	GXA-250S

G X A - 1 7 0 S (L)



- Worktable diameter Ø125, Ø170, Ø210, Ø255 °
- Exclusive **patented dual pneumatic piston braking** system.
- Higher rotation speed.
- Equipped with **high precision cross roller**.
- Full gear depth transmitted by dual lead worm drive, resulting in higher efficiency and lower backlash.



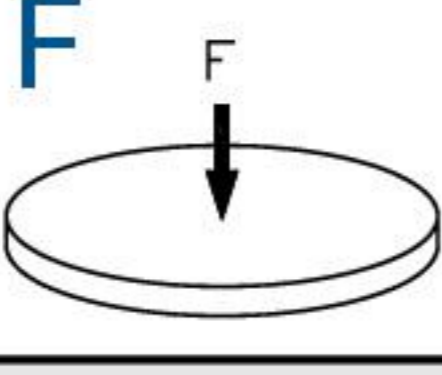
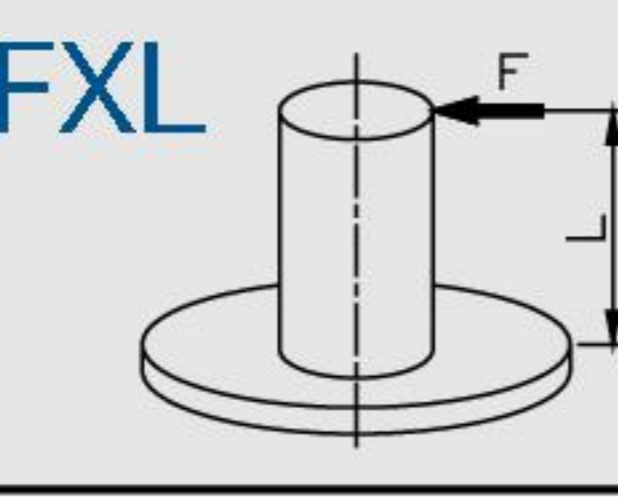
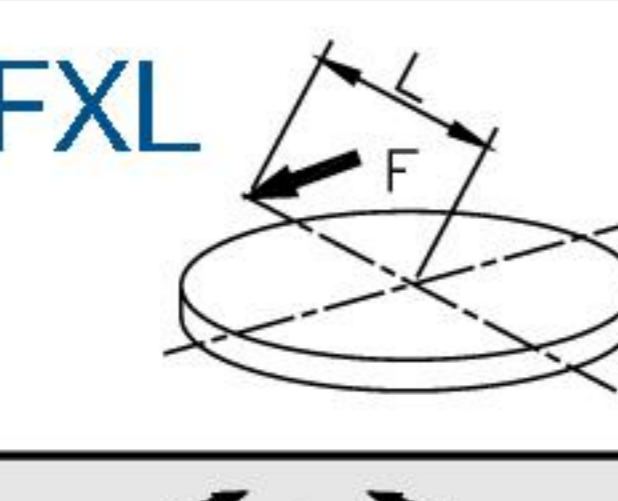
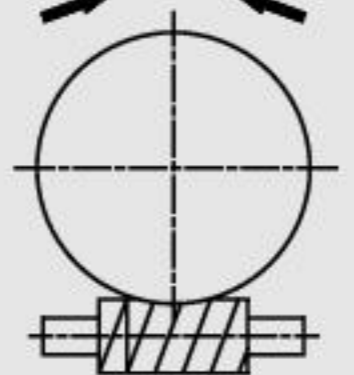
← GVA-210SL SL model, motor at left



← GXA-170S-2W-250 multiple rotary axis model

SPECIFICATIONS

(For detail information, please contact detron)

MODEL	Unit	GXA-125S	GXA-170S GXA-170SL	GXA-210S GVA-210SL	GXA-250S	
Worktable diameter	mm / inch	Ø125 / Ø 4.92	Ø170 / Ø 6.69	Ø210 / Ø 8.27	Ø255 / Ø10.04	
Center bore diameter	mm / inch	Ø30H7 / Ø 1.18H7	Ø40H7 / Ø 1.57H7	Ø65H7 / Ø 2.56H7	Ø65H7 / Ø 2.56H7	
Through-bore diameter	mm / inch	Ø25 / Ø 0.98	Ø40 / Ø 1.57H7	Ø65 / Ø 2.56H7	Ø65 / Ø 2.56H7	
Height of table (horizontal)	mm / inch	155 / 6.10	175 / 6.89	175 / 6.89	190 / 7.48	
Height of center (vertical)	mm / inch	110 / 4.33	135 / 5.31	160 / 6.3	160 / 6.3	
Width of T-slot	mm / inch	12H7 / 0.47H7	12H7 / 0.47H7	12H7 / 0.47H7	12H7 / 0.47H7	
Width of guide block	mm / inch	14 / 0.55	14 / 0.55	18 / 0.71	18 / 0.71	
Clamping method /pressure	MPa / psi	Pneumatic 0.55 ~ 0.7 / 79.8-101.5	Pneumatic 0.55 ~ 0.7 / 79.8-101.5	Pneumatic 0.55 ~ 0.7 / 79.8-101.5	Pneumatic 0.55 ~ 0.7 / 79.8-101.5	
Clamping torque	Nm /ft. lbs.	140	300	400	400	
Servo motor spec		refer to page 69				
Transmission ratio		1 / 40	1 / 60	1 / 72	1 / 72	
Max. table speed	min ⁻¹	66.6	53.3	53.3	53.3	
Standard loading inertia* $(\frac{W.D^2}{8})$	Kg.m ²	0.2	0.72	1.38	1.38	
Maximum loading inertia* $(\frac{W.D^2}{8})$	Kg.m ²	1	3	5	5	
Resolution	deg.	0.001	0.001	0.001	0.001	
Indexing accuracy	sec.	40	20	20	20	
Repeatability	sec.	6	6	6	6	
Net weight (servo motor excluded)	kg / lb	32 / 70.40	52 / 114.4	60 / 132	67 / 147.4	
Allowable loading capacity	Vertical	kg / lb	50 / 110	100 / 220	125 / 275	125 / 275
	Horizontal	kg / lb	100 / 220	200 / 440	250 / 550	250 / 550
	Tailstock applied	kg / lb	100 / 220	200 / 440	250 / 550	250 / 550
Allowable load (when table clamped)		N / lbs	9700 / 2176.68	14000 / 3141.6	17000 / 3814.8	17000 / 3814.8
		Nm /ft. lbs.	410 / 302.17	1020 / 751.74	1265 / 932	1265 / 932
		Nm /ft. lbs.	140 / 103.8	300 / 221.1	400 / 294.8	400 / 294.8
Allowable cutting torque		Nm /ft. lbs.	85 / 62.65	200 / 147.41	260 / 191.62	260 / 191.62
Allowable Max. rotary joint quantity		-	4	4	4	

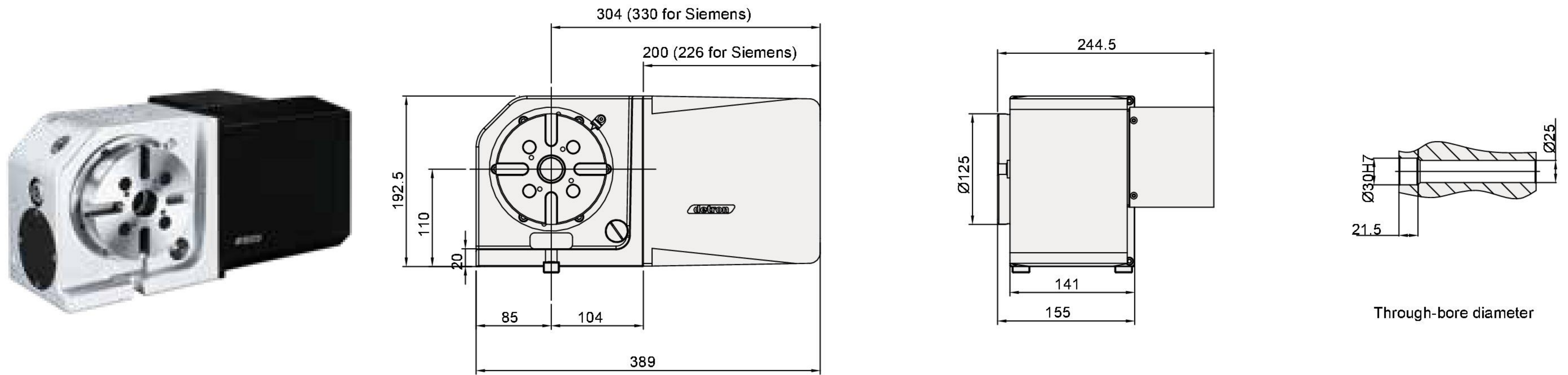
Note: 1. Allowable cutting torque at table speed of 1 min⁻¹.

2. Standard loading inertia * is allowed in max table speed. Contact detron for the necessary adjustment of speed and others when maximum loading inertia * is required.

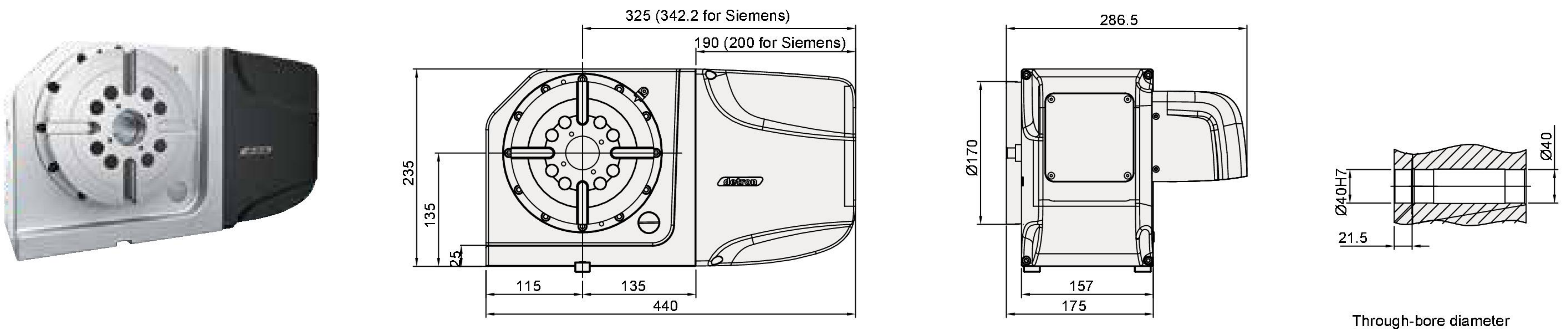
Dimension

Unit : mm

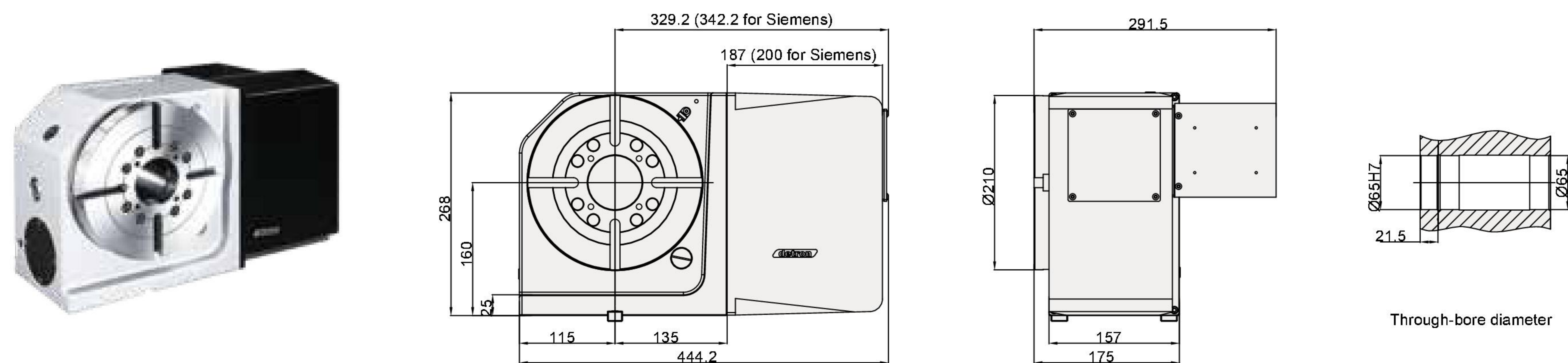
GXA-125S



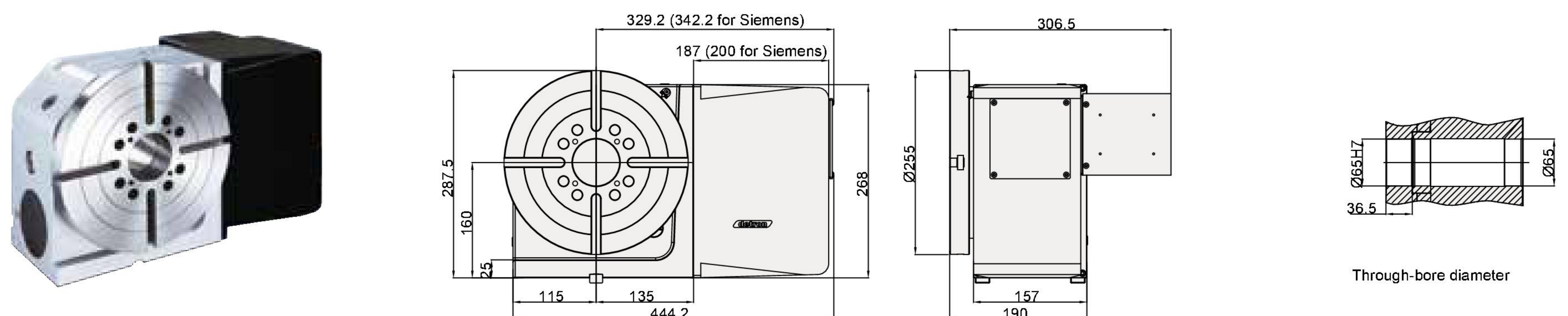
GXA-170S



GXA-210S



GXA-250S



Remark: 1. The length of servo guard may vary with servo motor type. (the metal sheet dimensions shown above are based on Fanuc motor)