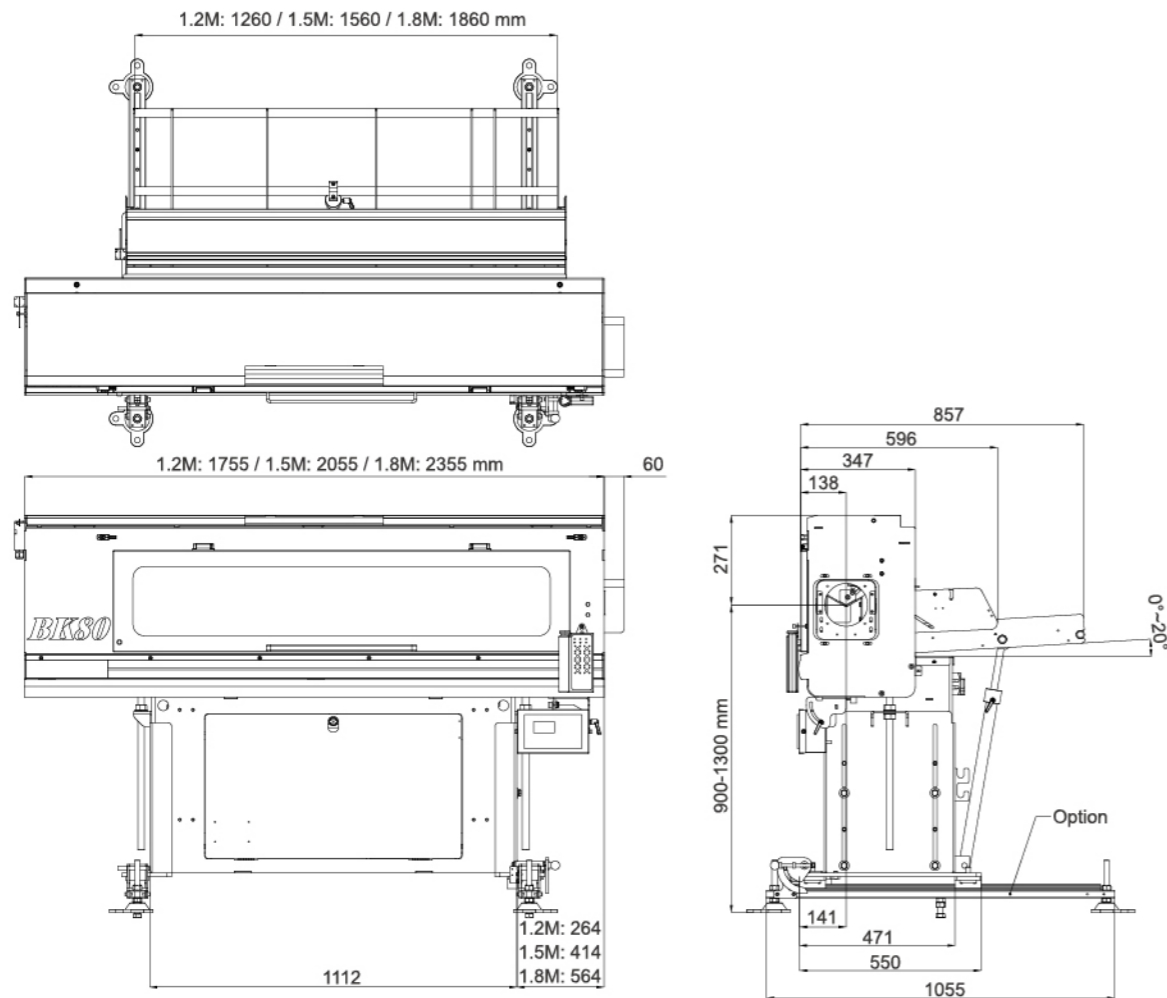


型號	MODEL	BK80 / BK80L / BK80LL
材料長度	BAR LENGTH	1.2 M / 1.5 M / 1.8 M
材料外徑	MATERIAL DIAMETER	5-80 mm
棒材置料量	BAR CAPACITY	80 mm / 8 pcs
機械寬度	MACHINE WIDTH	950 mm
機械重量	MACHINE WEIGHT	400 kg / 450 kg / 500 kg
主馬達	MOTOR	伺服馬達 SERVO MOTOR
主電力	POWER SUPPLY	1 x 220v / 1 x 380v 50Hz
消耗功率	POWER CONSUMPTION	750W

若需要其他資料請上網查詢 Check our website for more details at: www.barload.com.tw



規格如有更改，恕不另行通知。 The spec is subject to change without prior notice.

BARLOAD[®]
Automatic Bar Feeder

富豪機電股份有限公司
BARLOAD MACHINE CO., LTD.

No. 138, Wei-Hsin Road, Shi-Pai Li, Chang-Hua City, Taiwan 50080
50080彰化市石牌里維新路138號
TEL: +886-4-7384895 FAX: +886-4-7320282
E-mail: info@barload.com.tw

www.barload.com.tw

經銷商 Agent

 **THOLITEC**

Jan Doustraat 37
1689 XK Zwaag (NH)
The Netherlands

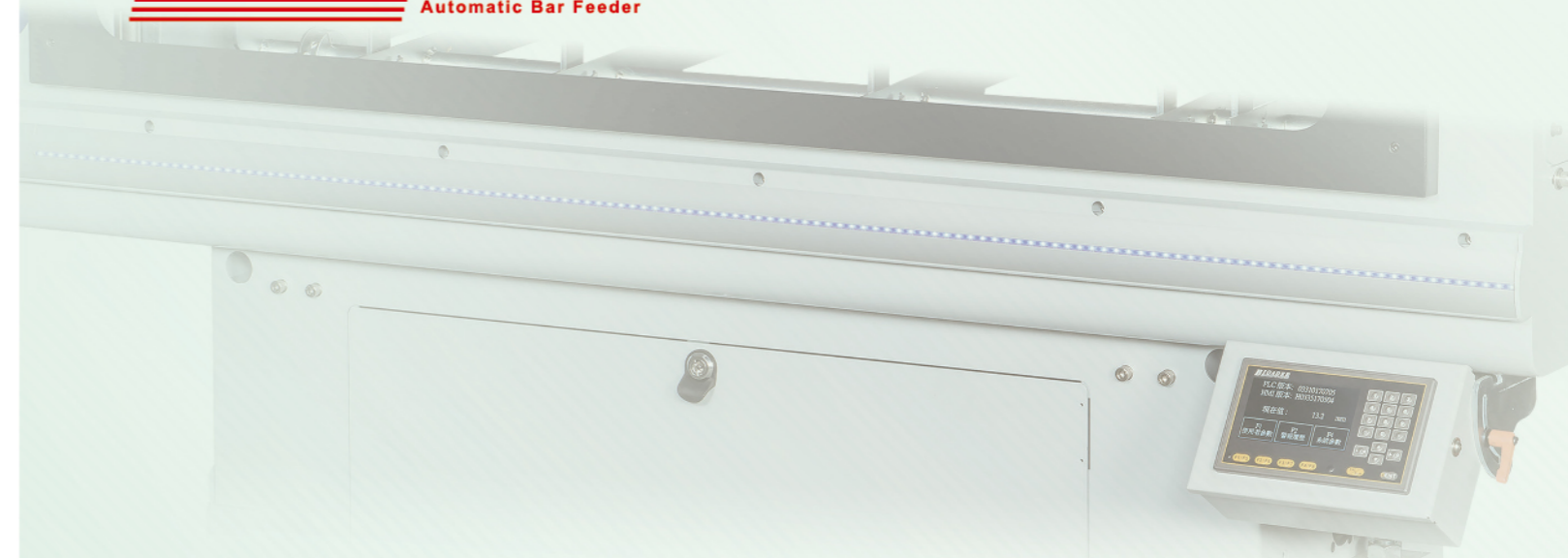
Tel. +31(0)85 0022937
info@tholitec.nl
www.tholitec.nl

本公司保留設計變更的權利 All Rights Reserved.

ACW 2017.09.1000CE

BARLOAD[®]
Automatic Bar Feeder

www.barload.com.tw



創新研發 · 台灣領航
品質追求 · 世界第一

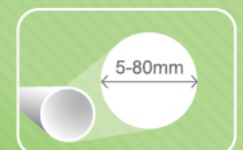
Quality Innovation
Reliability Experience

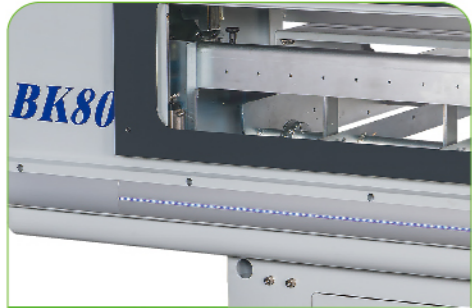


BK 80
系列 Series
5 - 80 mm

SHORT BAR FEEDER

短棒材送料機





LED遠端監控
LED-stripe Display Features Operative Status

- ▶ LED燈光外部顯示器，送料加工中棒材長度、換料、送料機異常、車床異常等訊息經LED燈光顯示以視覺表現，方便工作人員遠距離監控。(專利)
- ▶ Equipped with LED external display. During bar feeding, various messages such as "bar length", "bar change", "feeder error", and "CNC lathe error" are more easily shown, permitting remote monitoring. (Patented)



切端結構
Top-cut Configuration

- ▶ 切端機構穩定，小棒材亦可精密偵測。
- ▶ New design top-cut system, precision measuring with small diameter.



智慧型人機介面
Fuzzy Human Machine Interface

- ▶ 專用式人機面板，設定操作簡單，並內建多功能模式選擇，以因應不同使用需求。
- ▶ 全電式設定。
- ▶ 棒材大小直接設定
- ▶ Multi-function features with Human-machine-interface display. Friendly user.
- ▶ Electrical mode setting.
- ▶ Bar sizes setting conveniently.



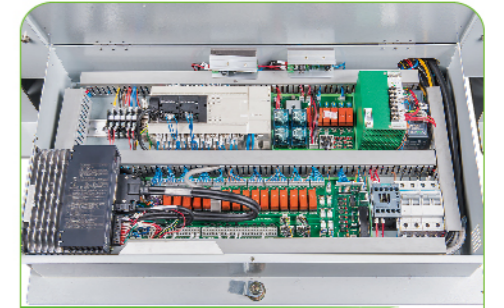
更換押棒簡便快速
Quickly pusher change

- ▶ 下料機構一次調整，精確度高。
- ▶ 押棒快速更換，免工具。
- ▶ Single point diameter adjustment for bar loading.
- ▶ Quick-pusher changeover, free tools supports.



移動式底盤
Movable Base

- ▶ 置料盒穩固，可置80mm實心材料8支，方便車床主軸維修及更換主軸襯套。
- ▶ The bar storage box is extremely stable, which can store 8 pieces of 80mm solid bar. Making it convenient for lathe spindle maintenance and replacement of spindle bushing.

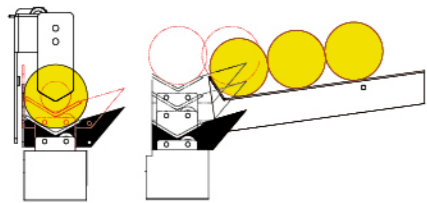


電控系統
Electrical System

- ▶ 全功能三菱PLC控制器與全方位資料庫軟體概念，送料工作中位置、扭力、速度，搭配車床控制精準。
- ▶ Mitsubishi PLC data bank. Feeding position, torque and speed are accurately and perfectly interfaced with lathes.



下料系統
LOADING SYSTEM



- 提高CNC車床加工密度與加工速度。
- 黑皮材料，六角材料適用。
- 伺服送料系統人機設定穩定精確。
- 更換材料時，材料中心人機設定調整。
- 全電式，無氣壓。
- 已通過CE認證。
- Increases speed and accuracy for CNC lathe.
- Servo feeding system. Fast and accurate.
- All electrical control mechanical driving transmission, no air required.
- External LED display, easier to monitor feeding situation.
- CE certificated.



BK 80
系列 Series

SHORT BAR FEEDER

短棒材送料機